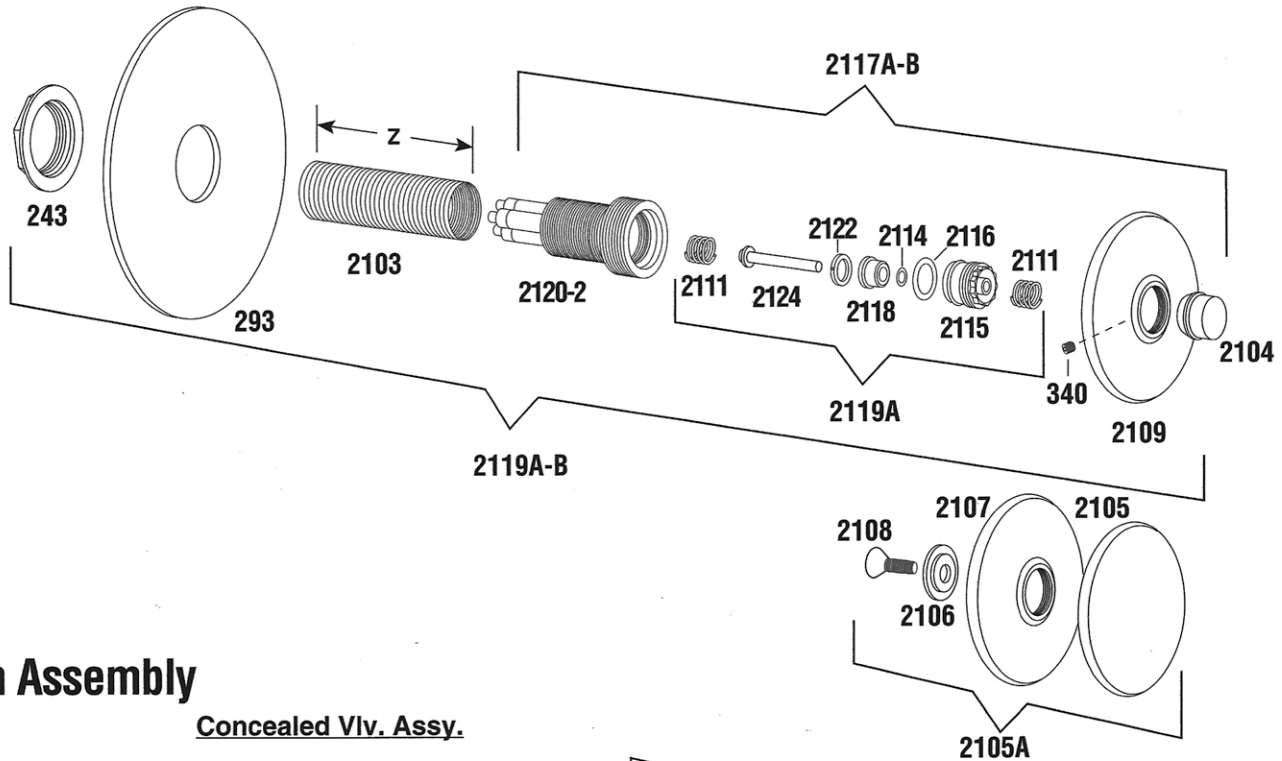


# Delany Hydro-Flush

Genuine Renewal Parts

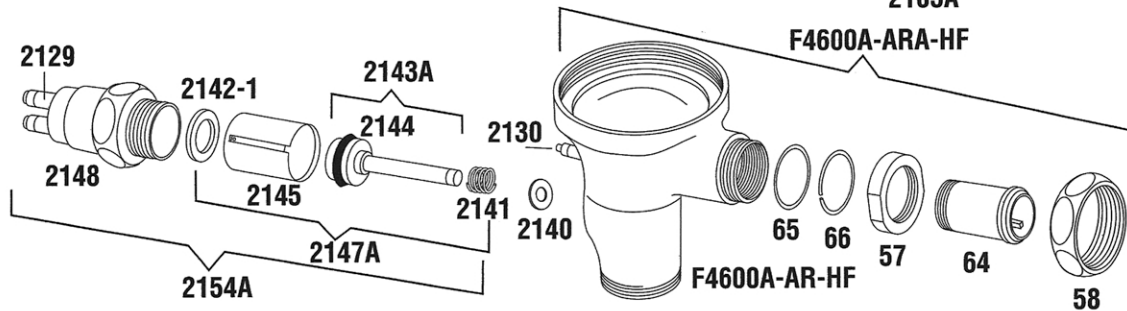
## Actuator Assembly

**NOTE:** For detailed parts information of the FLUSHBOY valve refer to Renewal Parts & Service Folder



## Piston Assembly

Concealed Viv. Assy.



## Hydro-Flush Actuator

### Partial Assemblies

Part No.	Description
2105A	3" Oscillating Disc Assembly
2117A-B	Actuator Assembly (for 1/2" push button)
2117A-B-1	Actuator Assembly (with 124 sink flange)
2117A-C	Actuator Assembly (for 3" disc)
2119A	Internal Actuator Assembly
2119A-B	Complete Actuator Assembly (for 1/2" push button) with nylon tubing
2119A-B-1	Complete Actuator Assembly (with 124 sink flange) with nylon tubing
2119A-C	Complete Actuator Assembly (for 3" disc) with nylon tubing

## Hydro-Flush Piston Assembly

### Partial Assemblies

Part No.	Description
2143A	Piston Operating Stem Assembly
2147A	Piston Internal Operating Assembly
2154A	Piston Valve Assembly

### Individual Parts Listing

57	Clamping nut	R.B. C.P.
58	Union Nut	R.B. C.P.
**64	KwikFit union tailpiece, 2" standard length overall (allows 4 1/2" to 5 1/2" centers. Complete with No. 65 and No. 66 parts)	R.B. C.P.
65	"O" ring	
66	Clamping ring	
243	Locknut	
293	Bearing plate	
340	Set screw	
*2103	Wall sleeve (for use with Hydro-Flush Viv.)	
2104	1/2" push button	
2105	3" Oscillating disc	
2106	Retainer for disc	
2107	Wall flange (with No. 340 allen head set screw)	
2108	Holding screw for disc	
2109	Wall flange with set screw	
2111	Spring (for push button)	
2114	"O" ring for spindle	
2115	Spindle guide	
2116	"O" ring for spindle guide	
2118	"O" ring holder	
2120-2	Actuator body	