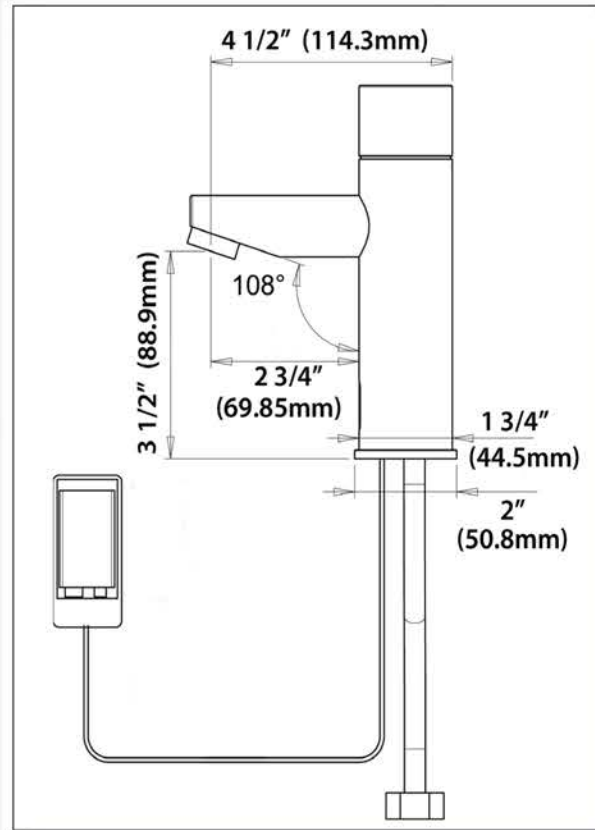
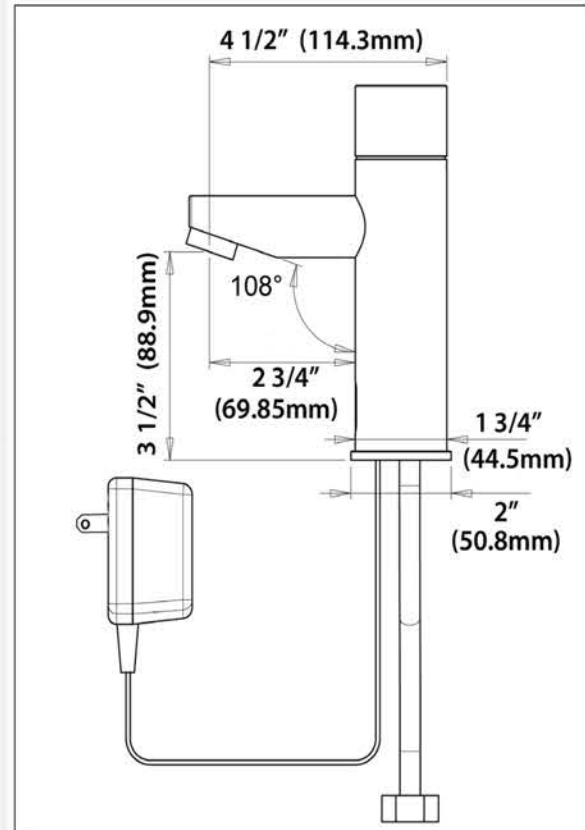


External Battery Wall Mount Installation



External Wall Plug-in Transformer Installation



VARIATIONS

TB3
Hardwire Transformer box male/female connector for 3 faucets max



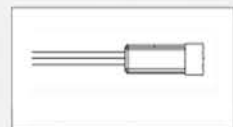
PS-3-1.5M
Power Splitter 1.5m 3 way



PS-2-1.5M
Power Splitter 1.5m 2 way



WCM-10
Waterproof cable male 10 feet



PS-2
Power Splitter 2 way



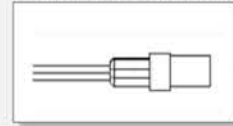
TB10
10 Faucet connector Transformer Junction box with built-in 12V Transformer



PS-3
Power Splitter 3 way



WCF-10
Waterproof cable female 10 feet



**BEAUTY
STYLE
& CHOICE...
LEAD FREE**

INFINITE
Having no boundaries or limits





INFINITE

Having no boundaries or limits

Go Green Series

Infinite faucets are completely Lead Free in adherence with the Reduction of Lead in Drinking Water Act (42 USC 300G) enacted at the beginning of 2014. Our Infinite Series Faucets are a part of our new Go Green Series of product lines. Go Green products are those that are either made with recyclable material or made from actually recycled material. At Delany Products, we are trying wherever possible to make truly sustainable products.

Styles and Designs

The Infinite Series gives the architect or engineer 3 design choices to meet their needs and taste. They all come in either battery or transformer versions. The "Curved" SF1597 version is equipped with an external mixing valve.

Simplicity of Design

As with everything that Delany does, Simplicity of Design is the key. This results in our products having the least amount of parts, being easier and faster to install as well as being more reliable and less expensive to maintain. With the Infinite Series, the installation requires only two simple user-friendly male/female connectors to be plugged together and it's done.

Quality Construction

The Infinite Series is made from 100% brass, providing the highest quality material for any commercial environment. We are also ready to meet AB1953 restrictions on lead content. Our keying system for our deck plates offers further stability for all of our faucets.

Solenoid and Sensors

The Infinite Series uses state-of-the-art latching solenoids for the lowest power consumption and it's sensors are compact and waterproof. The sensors are located in the throat and head of the faucets depending on the style of the faucet.

Remote

The Infinite Series is available with an optional Remote Control that the maintenance staff can use to quickly and easily service the faucets. The remote is built with a non-volatile memory which allows the units stored adjustments not to be lost in the case of a power failure or even merely replacing the remote's battery.

Additional Features

*A "Temporary Off" feature is provided. This allows the maintenance staff to turn the sensors off in order to easily clean the faucets without having them activate. *A "24-hour Hygiene Wash out" feature prevents the spread of diseases such as Legionella and also helps to prevent pipes from freezing in the winter time.

INFINITE Faucet Series



SF 1591 B
Sensor Activated Faucet
External Battery and
Internal Solenoid Valve



SF 1591 E
Sensor Activated Faucet
External Transformer and
Internal Solenoid Valve



SF 1597 B
Sensor Activated Faucet
External Battery and
Solenoid Valve



SF 1597 E
Sensor Activated Faucet
External Transformer and
Solenoid Valve



SF 1596 B
Sensor Activated Faucet
External Battery and
Solenoid Valve



SF 1596 E
Sensor Activated Faucet
External Transformer and
Solenoid Valve



SF 1594 B
Sensor Activated Faucet
External Battery and
Internal Solenoid Valve



SF 1540 B / E
Sensor Activated Faucet
External Battery or Transformer
and Solenoid Valve



SF 1593
Sensor Activated Faucet
Internal Battery and
Internal Solenoid Valve



SF 1594 E
Sensor Activated Faucet
External Transformer and
Internal Solenoid Valve