

Flushboy Ultra



Changing for the Better - Working to be the Best!

Delany Products
P.O. Box 411
Charlottesville, Virginia 22902
Tel: 434-296-0166
Fax: 434-977-3596
www.delanyproducts.com



Water Closet Flush Valve



Polished chrome plated flush valve, chloramine resistant diaphragm, externally adjustable for water conservation, with 1" vandle resistant capped screwdriver angle stop with back-check, renewable main valve seat, metal "Rubberflex" oscillating handle, with either a Kwikfit Connection ground joint, or a SlipFit Connection adjustable joint, vacuum breaker, wall flange, spud nut and spud flange for 1-1/2" top spud.



Bypass Assembly (enlarged)

Urinal Flush Valve

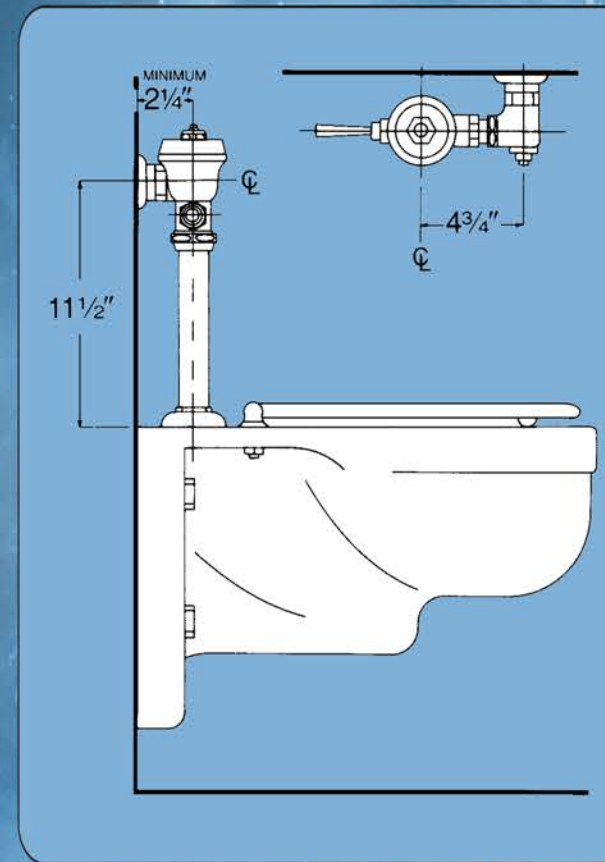


Polished chrome plated flush valve, chloramine resistant diaphragm, externally adjustable for water conservation, with 3/4" vandle resistant capped screwdriver angle stop with back-check, renewable main valve seat, metal "Rubberflex" oscillating handle, with either a Kwikfit Connection ground joint, or a SlipFit Connection adjustable joint, vacuum breaker, wall flange, spud nut and spud flange for 3/4" top spud.

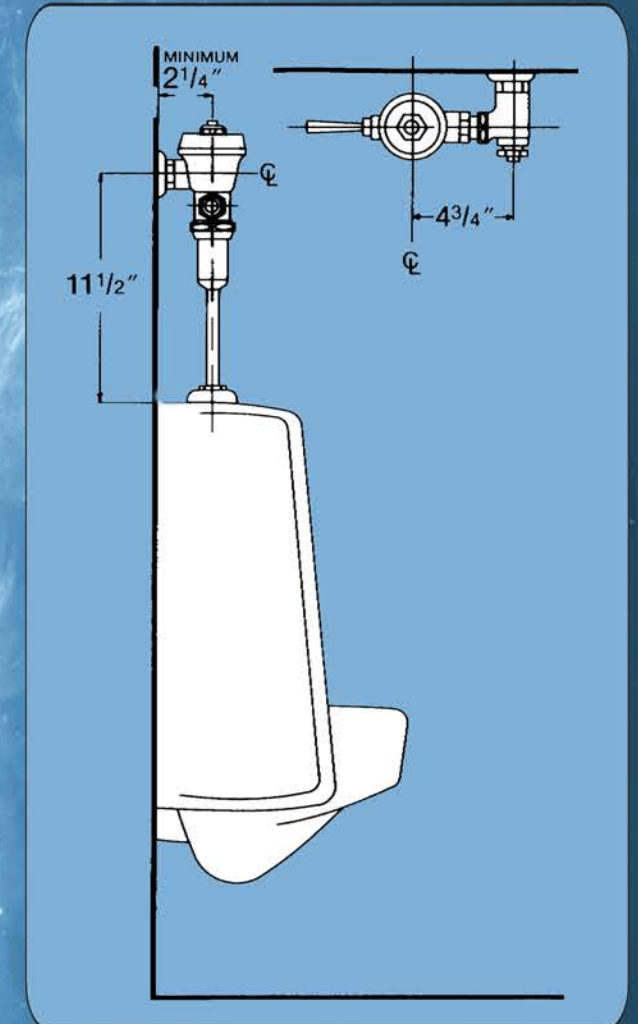
T106 Mashaerator (optional)

Every time the flush valve goes through a flushing cycle, the Delany Masherator rotates to keep debris out of the bypass, and slides up and down keeping the bypass cleaner. Competitor's filter diaphragms are more likely to clog over time.

Water Closet Flush Valve:



Urinal Flush Valve



- New updated sleek look.
- Delany's proprietary Regulating Screw allows for Field Adjustability and "True-in-the-Field" water conservation.
- Improved performance from a smaller upper chamber.
- Market's only Replaceable Main Valve Seat allows the contractor to completely flush the supply lines, ending the worry of clogged diaphragms.
- Rubberflexer handle construction provides simple, easy, leak-free, and cost effect maintenance.
- Available either with a KwikFit Connection ground joint or a SlipFit Connection adjustable joint.
- Optional - Available with Delany's proprietary Masherator, the market's only self-cleaning bypass.