

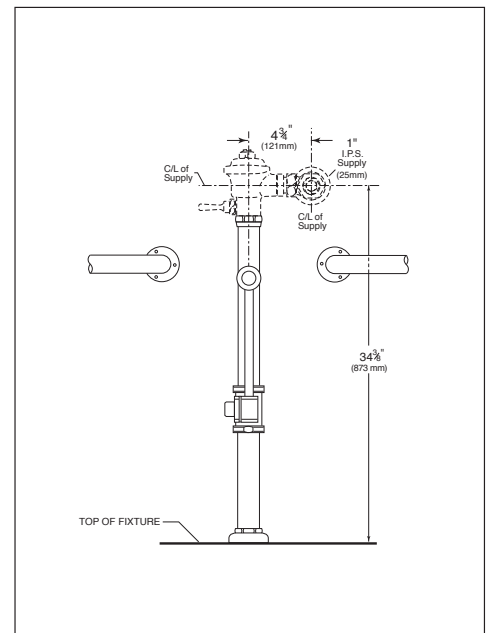
Bedpan Diverter w/ VB for 34-3/8" Rough-In

Description

Delany Bedpan Diverter is for pre-rinsing of a bedpan before sanitizing. The assembly is for installation with existing flush valve. Bedpan Diverter valve is with the full vacuum breaker assembly for 1-1/2" top spud water closets.

Specification

- Teflon Shear Plate Washer
- Solid Brass Bedpan Diverter Spray Arm
- Wall Support
- 1-1/2" Flush Connection w/ vacuum breaker for 34-3/8" Rough-In
- Wall flange, spud nut and spud flange for 1-1/2" top spud.
- All rubber parts molded of chloramine resistant rubber.



ASSE 1037

