

# S418-6.5-SC-T42-TS

## FLUSH VALVE for CLINICAL SERVICE SINK (6.5gpf / 24.6Lpf per Flush)

### TruSABER

#### Description

Chrome plated exposed flush valve for Clinical Service Sinks with TruStop control stop.

#### Flush Cycle

6.5gpf / 24.6Lpf

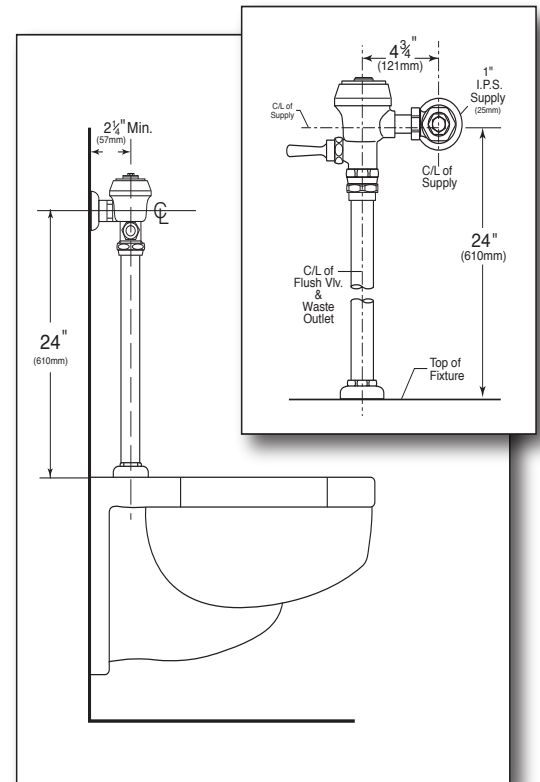
#### Specification

- Scratch Proof Recessed Hex-nut designed cover
- Regulating screw for "True-in-the-Field" water conservation
- Mashaerator self-cleaning bypass diaphragm
- 1" vandle proof TruStop ball valve designed angle control stop with TruChek.
- Sweat adapter kit.
- Removeable main valve seat.
- ADA compliant metal "Rubberflex" oscillating handle.
- All rubber material made of chloramine resistant material
- Slip-Joint adjustable tailpiece.
- Vacuum breaker w/ 24" rough-in flush connection
- Wall flange, spud nut and spud flange for 1-1/2" top spud

#### Variations

- AM - Antimicrobial Coated Handle
- SH - SmartHandle Dual-Flush with Antimicrobial Coating
- SM - SideArm (Side Mounted Sensor Actuator)
- T5 - Non-Hold-Open Feature
- T36 - Solid ring wall support for flush connection
- Logo - Customized Cover Cap w/ Logo

Valve is certified to be in compliance to the applicable sections of ASSE 1037 and ANSI/ASME 112.19.2



Patented TruStop Control Stop



ASSE 1037

