

TruSABER Bedpan Diverter for 26-1/2" Rough-in

Description

Polished chrome plated diaphragm operated flush valve with Delany Bedpan Diverter valve & TruStop control stop for 1-1/2" top spud water closets.

Flush Cycle

1.28 gpf / 4.8 Lpf High Efficiency

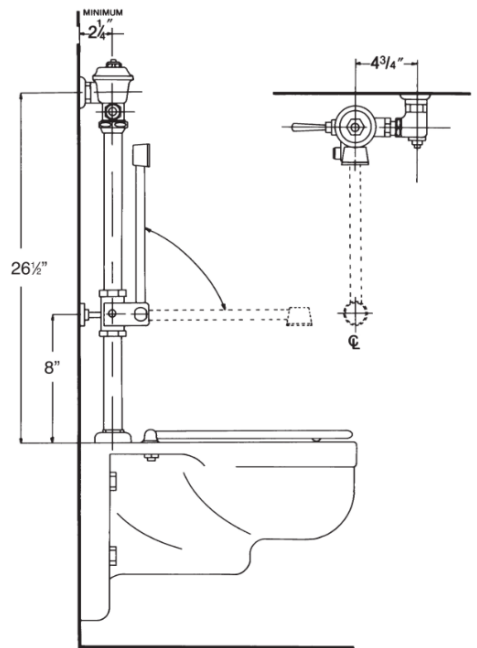
Specification

- Scratch Proof Recessed Hex-nut designed cover
- Regulating screw for "True-in-the-Field" water conservation
- Mashaerator self-cleaning bypass diaphragm
- 1" vandle proof TruStop ball valve designed angle control stop with TruChek.
- Removeable main valve seat.
- ADA compliant metal "Rubberflex" oscillating handle.
- All rubber material made of chloramine resistant material
- Slip-Joint adjustable tailpiece.
- Sweat adapter kit.
- Delany Bedpan Diverter Spray Arm
- Vacuum breaker flush connection assembly for 26-1/2" rough-in
- Wall flange, spud nut and spud flange for 1-1/2" top spud

Variations

- AM - Antimicrobial Coated Handle
- SH - SmartHandle Dual-Flush with Antimicrobial Coating
- SM - SideArm (Side Mounted Sensor Actuator)
- T36 - Solid ring wall support for flush connection
- Logo - Customized Cover Cap w/ Logo

Valve is certified to be in compliance to the applicable sections of ASSE 1037 and ANSI/ASME 112.19.2



Patented TruStop Control Stop



ASSE 1037

