

# GP1402-1.6-SC-T42-DF-TS AUTOMATIC DUAL FLUSH FLUSH VALVE (1.6/1.1 gpf & 6.0/4.2 Lpf per Flush)

## TruEdge Dual-Flush

### Description

Battery powered, sensor activated automatic dual flush, diaphragm operated, chrome plated exposed flush valve for 1-1/2" for top spud water closet.

### Flush Cycle

Regular Delivery: 1.6 gpf/6.0 Lpf for Solid Waste flushing cycle.  
Short Delivery: 1.1 gpf/4.2 Lpf for Liquids flushing cycle.

### Specification

- 1" vandle proof TruStop ball valve designed angle control stop with TruChek.
- SmartChoice Technology software provides field adjustability for True-in-the-Field Water Conservation
- Remote for Range & Discharge Adjustability.
- Mashaerator self-cleaning diaphragm.
- Chloramine resistant diaphragm.
- 6 Volt DC latching solenoid valve
- 6 Volt DC lithium battery (2C-P2 type).
- Infrared sensor with Dual Infrared Transmitter Technology.
- Arming delay of 10 seconds prevents unintentional flushes.
- Electronic courtesy flush push button.
- Renewable main valve seat.
- Sweat Adapter Kit.
- Vacuum Breaker w/ 9" flush connection.
- Wall flange, spud nut and spud flange for 1-1/2" top spud.
- All rubber parts molded of chloramine resistant rubber.

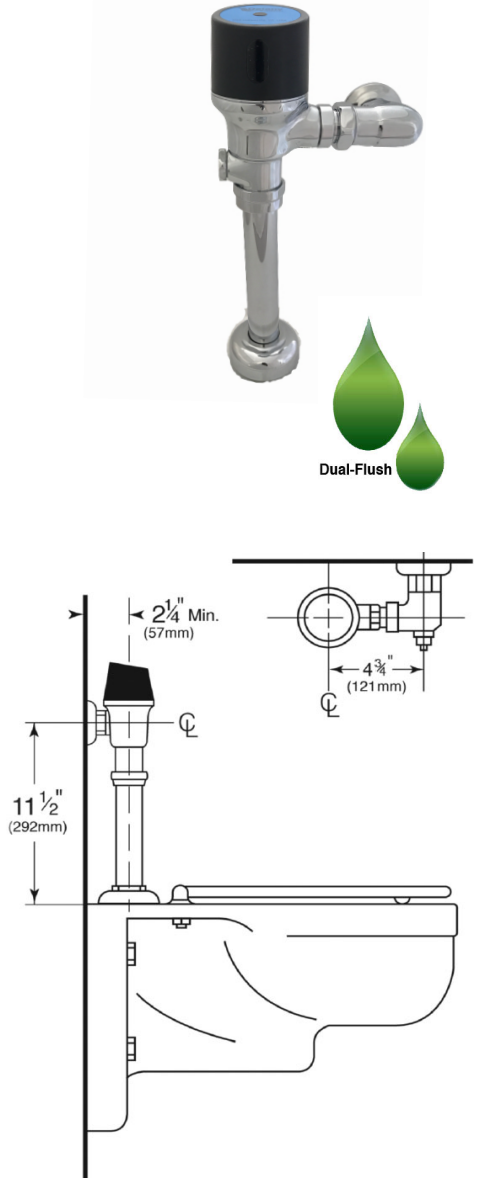
### Variations

- GJ - Ground Jount Tailpiece
- SC - SlipFit Connection (adjustable joint tailpiece)
- T36 - Solid ring wall support for flush connection

Valve is in compliance with the applicable sections of ASSE 1037.



P.O. Box 411 • Charlottesville • VA • 22902 • USA Phone: (434) 296-0166 • Fax (434) 977-3596  
Email: info@delanyproducts.com Web: www.delanyproducts.com ©2015 v1



**Note:** Min. roughing height 10 1/2" centerline of supply to top of fixture.

