

TruULTRA Plus w/ SideArm

Description

Exposed chrome plated flush valve diaphragm operated for 3/4" top spud urinals with side mounted sensor actuator.

Flush Cycle

1 gpf / 3.8 Lpf Low Consumption

Specification

- SideArm (Side Mounted Sensor Actuator)
 - Infrared Sensor with user indicator light
 - True Mechanical Override Button
 - 6 volts DC low voltage four "C" batteries
 - 8 second arming delay to prevent unintentional flushes
- Regulating screw for "True-in-the-Field" water conservation.
- Mashaerator self-cleaning bypass diaphragm.
- ADA compliant metal "Rubberflex" oscillating handle.
- Renewable main valve seat.
- 1" Vandal proof TruStop ball valve designed angle control stop with TruChek.
- Sweat adapter kit.
- SlipFit adjustable tailpiece.
- 3/4" x 9" vacuum breaker flush connection.
- Wall flange, spud nut and spud flange for 3/4" top spud.
- All rubber parts molded of chloramine resistant rubber.

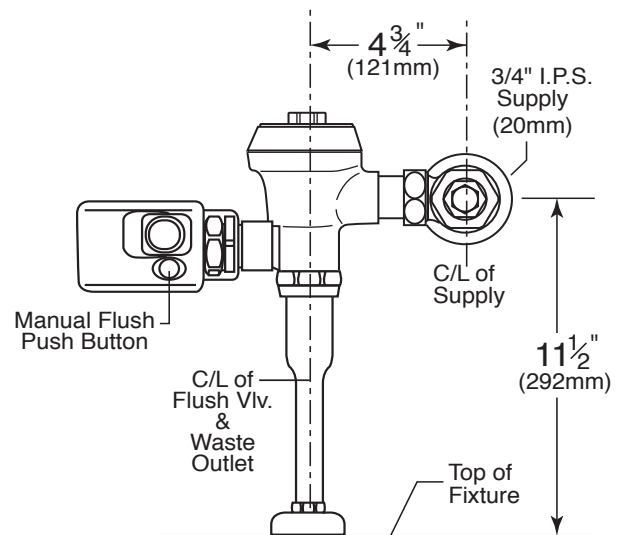
Variations

- T36 – Solid ring wall support for flush connection

Valve is Certified to be in compliance to the applicable sections of ASSE 1037 & 1001



Patented TruStop Control Stop



ASSE 1037

