

### Tru ULTRA Plus CONCEALED

#### Description

Concealed rough brass flush valve for floor mounted or wall hung water closets with 1.5" concealed back spud.

#### Flush Cycle

1.28gpf / 4.8Lpf High Efficiency

#### Specification

- Regulating screw for "True-in-the-Field" water conservation.
- Mashaeration self-cleaning bypass diaphragm.
- Sweat adapter kit.
- 1" vandle proof TruStop ball valve designed angle control stop with TruChek.
- Renewable main valve seat.
- Metal "Rubberflex" 1/2" pushbutton through wall assembly.
- 1.5" x 22.5" vacuum breaker flush connection for back entry.
- Ground joint tailpiece.
- All rubber parts molded of chloramine resistant rubber.
- All exposed parts chrome plated.

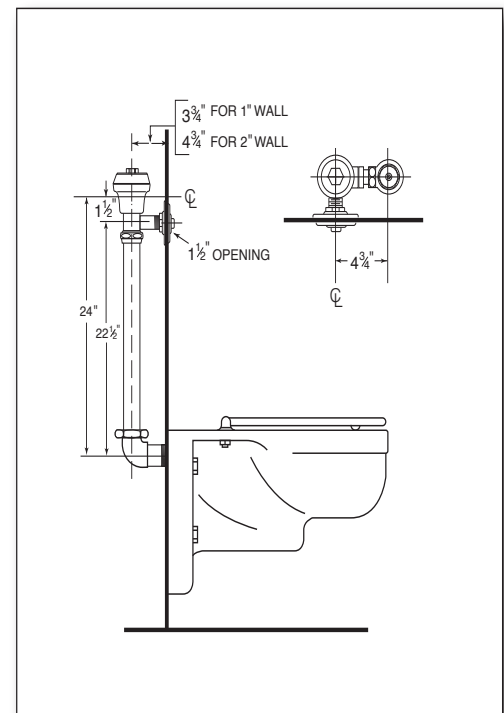
#### Variations

- C - 3" Oscillating Disc
- T28 - Oscillating handle
- T48 - Valve for use with an access panel

\*Access Panels Supplied by Others\*

\* Wall Size Required at time of Order. Size Range from 1" to 12"  
Pricing will vary based upon size. \*

Valve shall be in compliance to the applicable sections of ASSE 1037



ASSE 1037

