

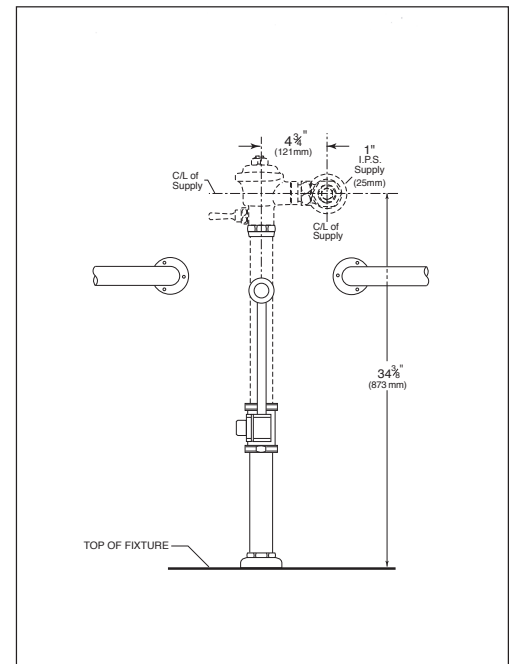
## Bedpan Diverter

### Description

Delany Bedpan Diverter is for pre-rinsing of a bedpan before sanitizing. The assembly is for installation with existing flush valve. Bedpan Diverter valve is for 1-1/2" top spud water closets.

### Specification

- Teflon Shear Plate Washer
- Solid Brass Bedpan Diverter Spray Arm
- Wall Support.
- 1-1/2" x 9" Lower Flush Connection.
- Spud nut and spud flange for 1-1/2" top spud.
- All rubber parts molded of chloramine resistant rubber.



ASSE 1037

