

## Tru EMPIRE

### Description

Exposed chrome plated, piston operated, flush valve with 1" ball valve designed control stop for 1-1/2" top spud high efficiency fixtures.

### Flush Cycle

1.1 gpf / 4.2 Lpf High Efficiency

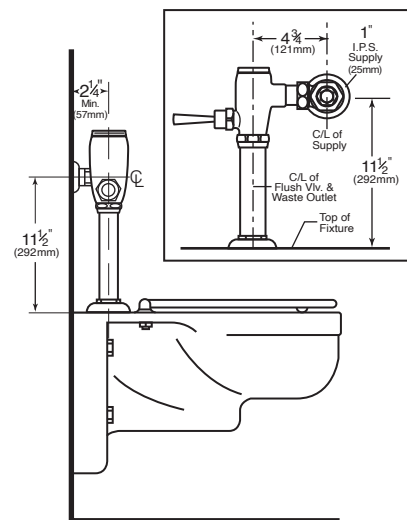
### Specification

- Nickel plated solid brass piston cartridge.
- Mashaerator self-cleaning diaphragm.
- ADA compliant metal "Rubberflex" oscillating handle.
- 1" vandle proof TruStop ball valve designed angle control stop with TruChek
- Non hold open
- Sweat adapter kit.
- SlipFit adjustable tailpiece.
- 1-1/2" x 9" vacuum breaker flush connection.
- Wall flange, spud nut and spud flange for 1-1/2" top spud.
- All rubber parts molded of chloramine resistant rubber

### Variations

- G - Bumper on angle stop (for seat without cover)
- SM - SideArm (Side Mounted Sensor Actuator)
- T36 - Solid ring wall support for flush connection

Valve is certified to be in compliance to the applicable sections of ASSE 1037 and ANSI/ASME 112.19.2



ASSE 1037

