

## TruEMPIRE

### Description

Exposed chrome plated, piston operated, flush valve with 1" ball valve designed control stop for 3/4" top spud high efficiency urinals.

### Flush Cycle

0.5 gpf / 1.9 Lpf High Efficiency

### Specification

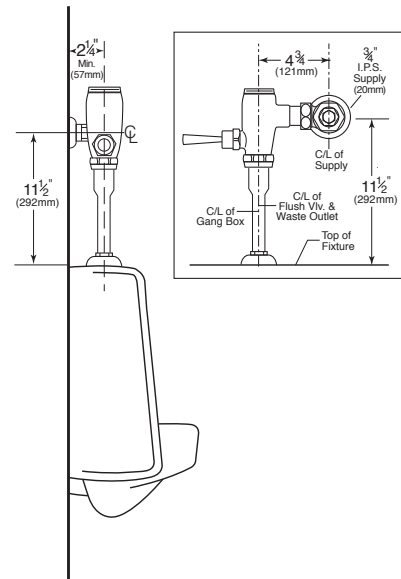
Chrome plated closet flush valve for left or right hand supply with the following features.

- Chloramine resistant Self Cleaning Piston.
- 1" vandle proof TruStop ball valve designed angle control stop with TruChek
- Sweat adapter kit.
- ADA compliant metal "Rubberflex" oscillating handle.
- SlipFit adjustable tailpiece.
- 3/4" x 9" vacuum breaker flush connection.
- Wall flange, spud nut and spud flange for 3/4" top spud.
- All rubber parts molded of chloramine resistant rubber

### Variations

- SM - SideArm (Side Mounted Sensor Actuator)
- T36 - Solid ring wall support for flush connection

Valve is certified to be in compliance to the applicable sections of ASSE 1037 and ANSI/ASME 112.19.2



ASSE 1037

